

ASSEMBLY INSTRUCTION

DE - MONTAGEANWEISUNG

FR - INSTRUCTIONS DE MONTAGE

DK - MONTAGEVEJLEDNING

CZ - NÁVOD K MONTÁŽI

ES - INSTRUCCIONES DE MONTAJE

FI - ASENNUSOHJE

HR - UPUTE ZA MONTAŽU

SE - MONTERINGSANVISNING

SI - NAVODILA ZA MONTAŽO

TR - MONTAJ TALIMATI

NO - MONTASJEANVISNING

IT - ISTRUZIONI DI MONTAGGIO

GR - ΟΔΗΓΙΑ ΣΥΝΑΡΜΟΛΟΓΗΣΗΣ

NL - MONTAGE INSTRUCTIE

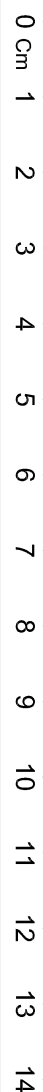
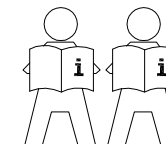
PT - INSTRUÇÕES DE MONTAGEM

PL - INSTRUKCJA MONTAŻU

HU - SZERELÉSI UTASÍTÁS



25 min



① x 4



HW-ST-02-018
(6x12)

⑦ x 4



HW-ST-07-054
(8.5x20x2)

② x 4



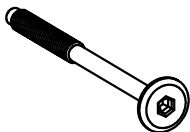
HW-ST-07-141
(6.5x10.5x1.5)

⑧ x 4



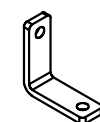
HW-PL-08-203
(Ø16x4)

③ x 8



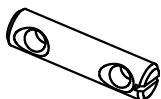
HW-ST-02-276
(6x75)

⑨ x 4



HW-AL-04-748
(55x55x20, t5.0)

④ x 4



HW-ST-03-129
(10x40)

⑩ x 4



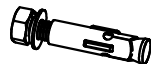
HW-ST-01-033
(7x25)

⑤ x 4



HW-ST-02-021
(6x20)

⑪ x 4



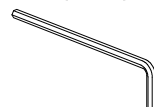
HW-ST-02-393
(8x55)

⑥ x 4



HW-ST-07-106
(6.5x12x1)

⑫ x 1

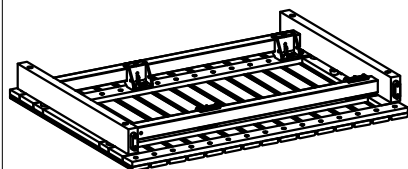


HW-ST-18-001
(4x98)

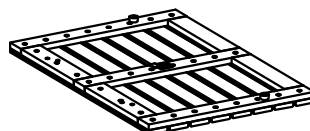
⑬ x 1



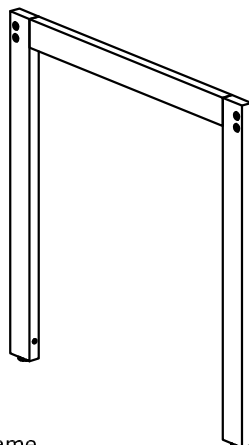
HW-ST-18-007
(13x88)



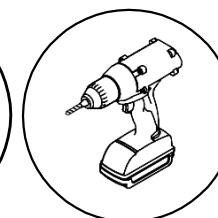
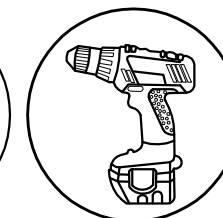
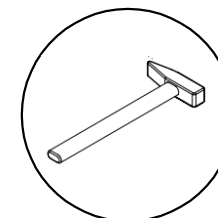
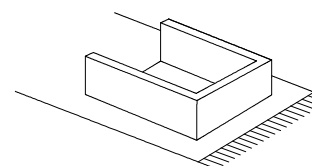
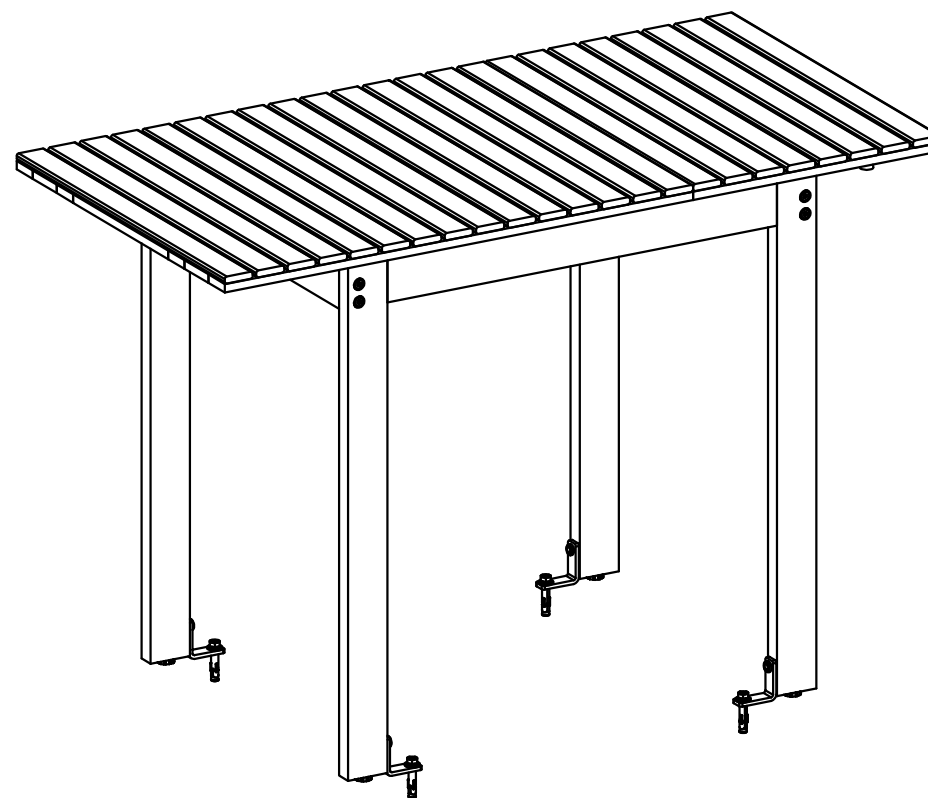
① x 1
Assembly Frame



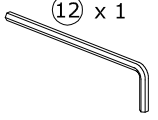


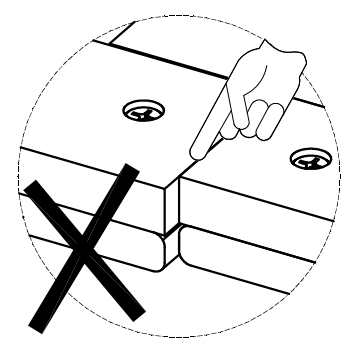
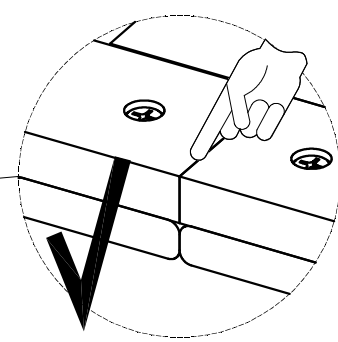
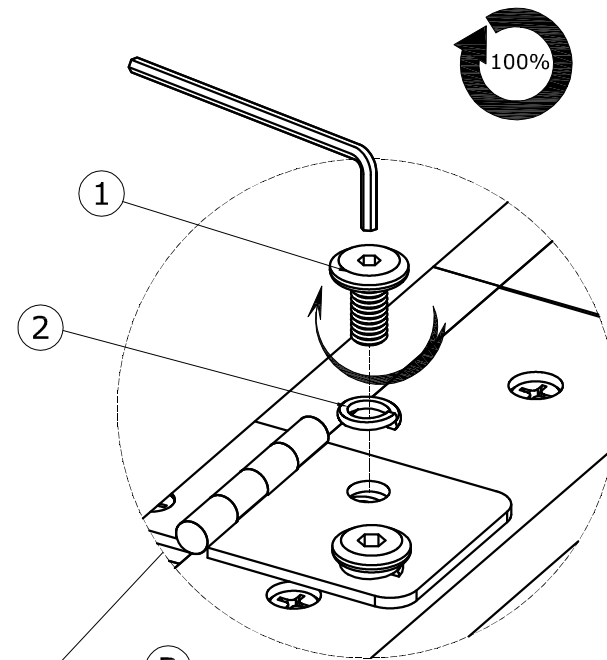
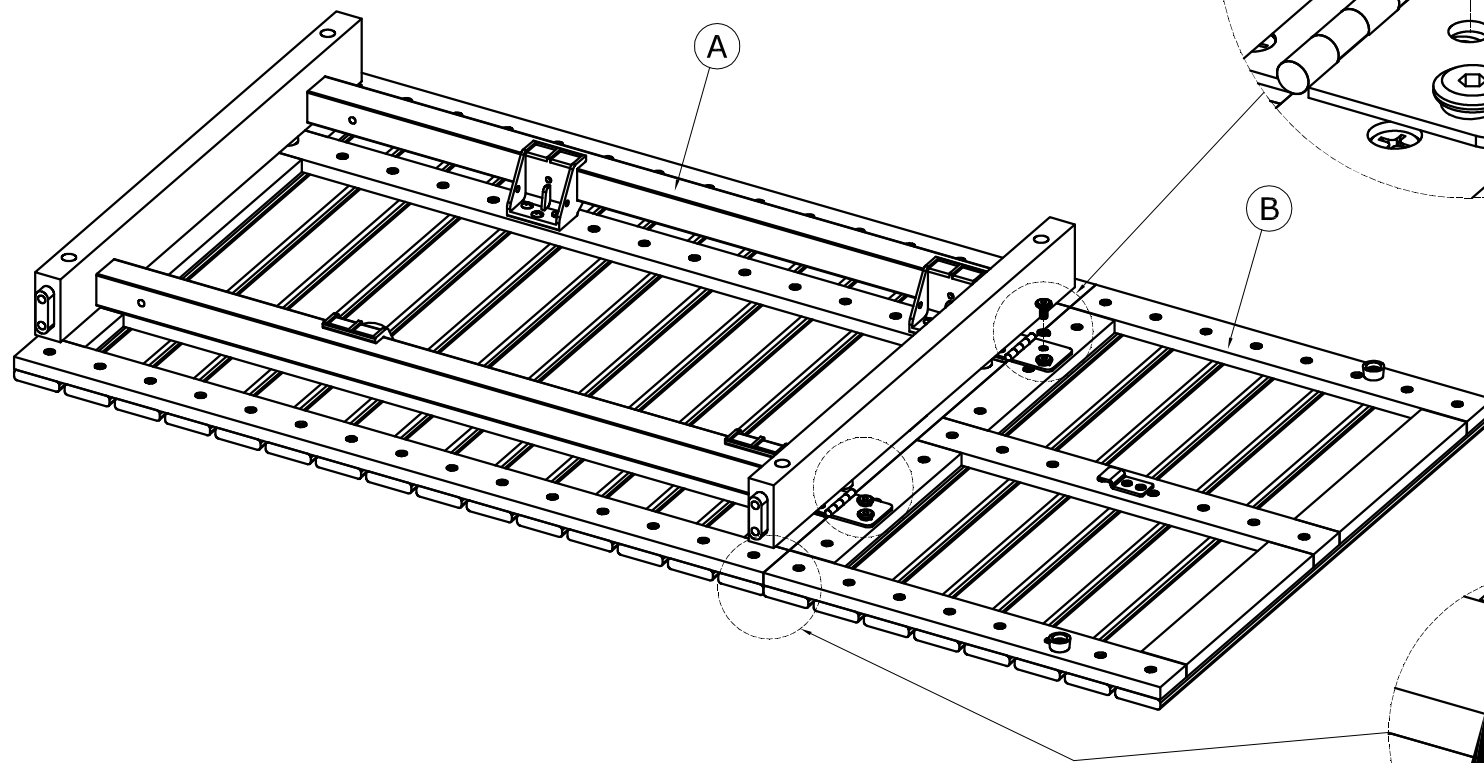
② x 1
Extend Table Top

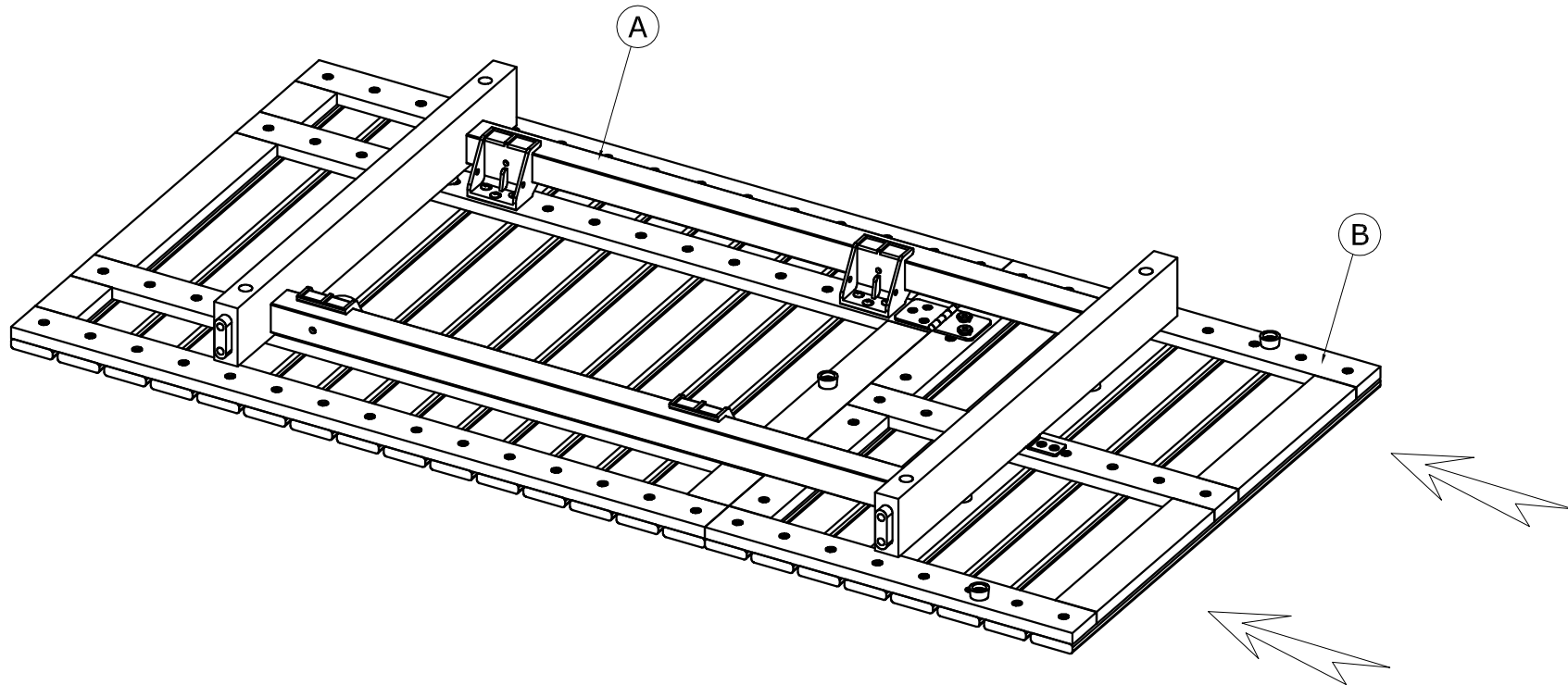


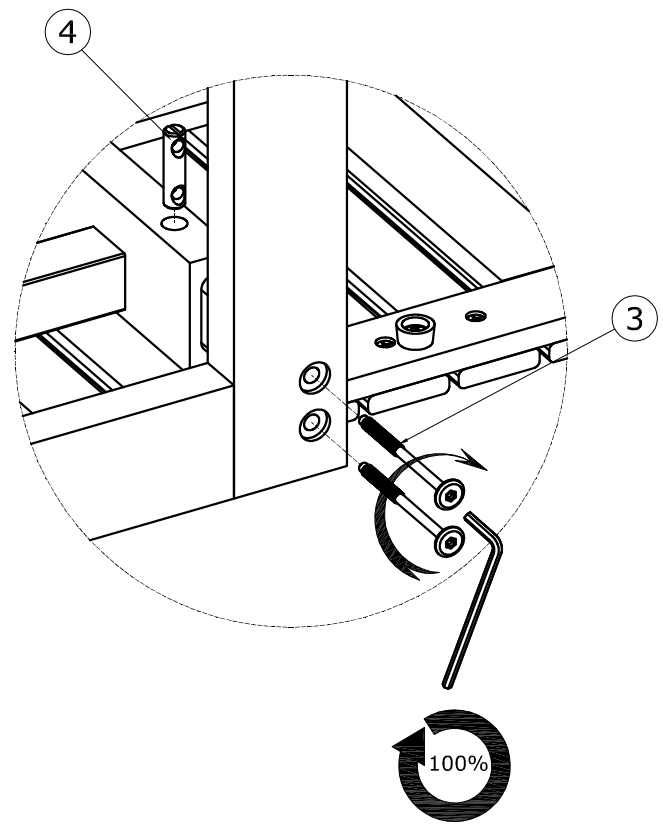
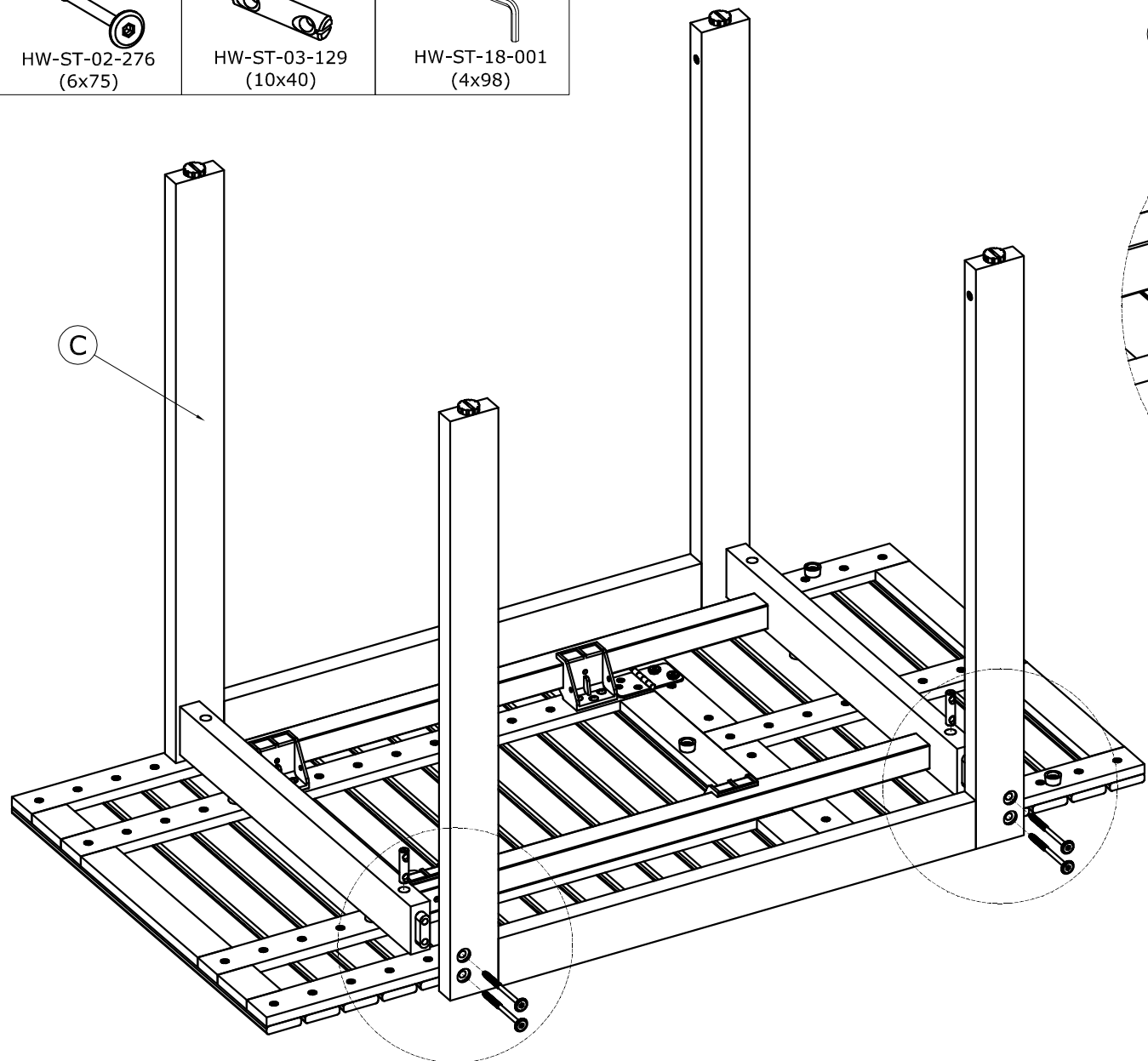
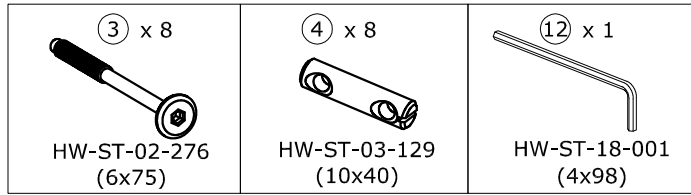
③ x 2
Leg Frame

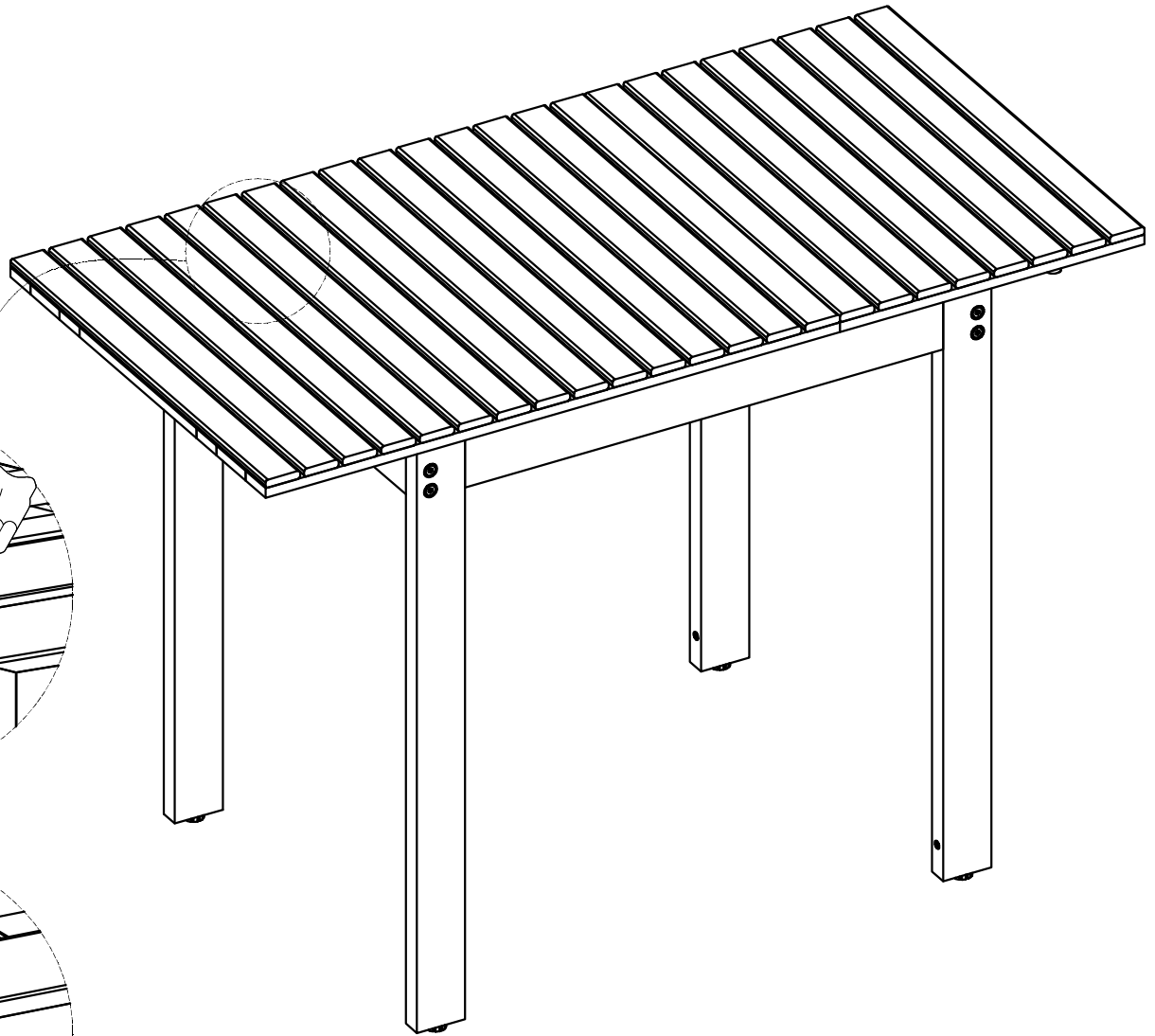
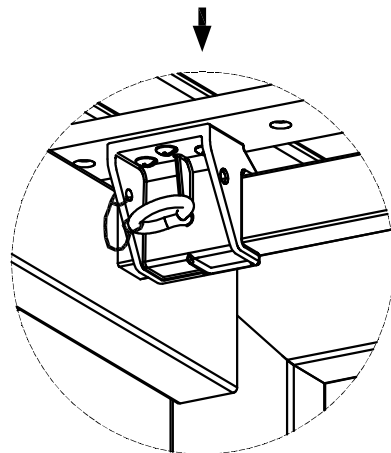
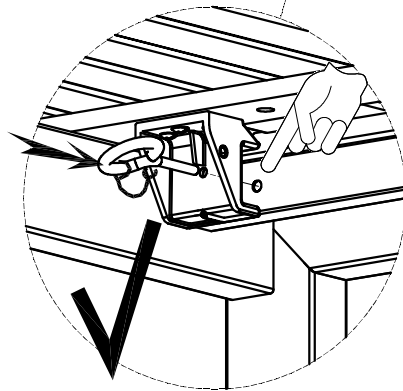
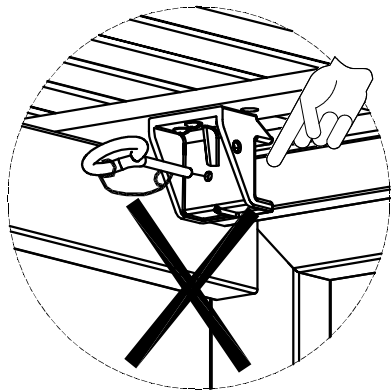
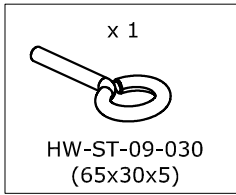


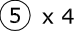

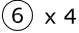



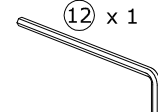
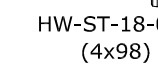
① x 2  HW-ST-02-018 (6x12)	② x 2  HW-ST-07-141 (6.5x10.5x1.5)	⑬ x 1  HW-ST-18-001 (4x98)
--	--	--

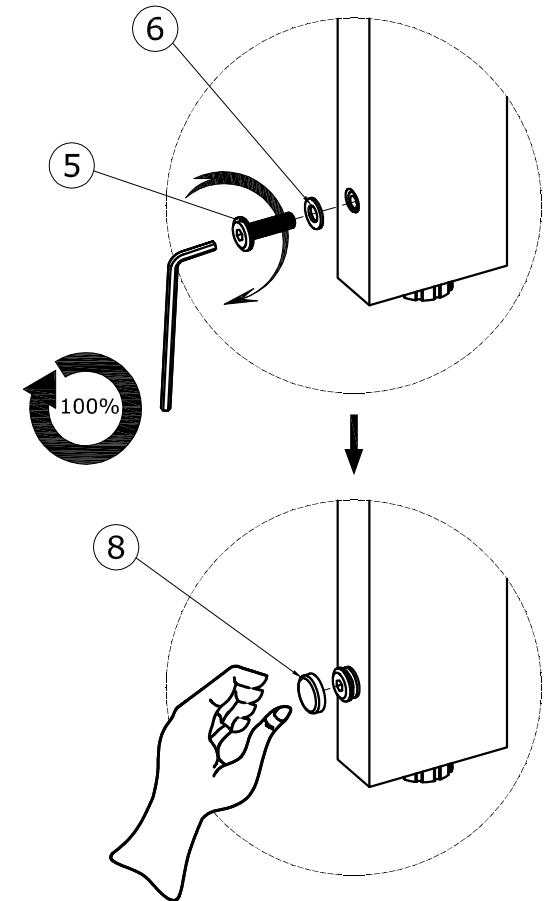






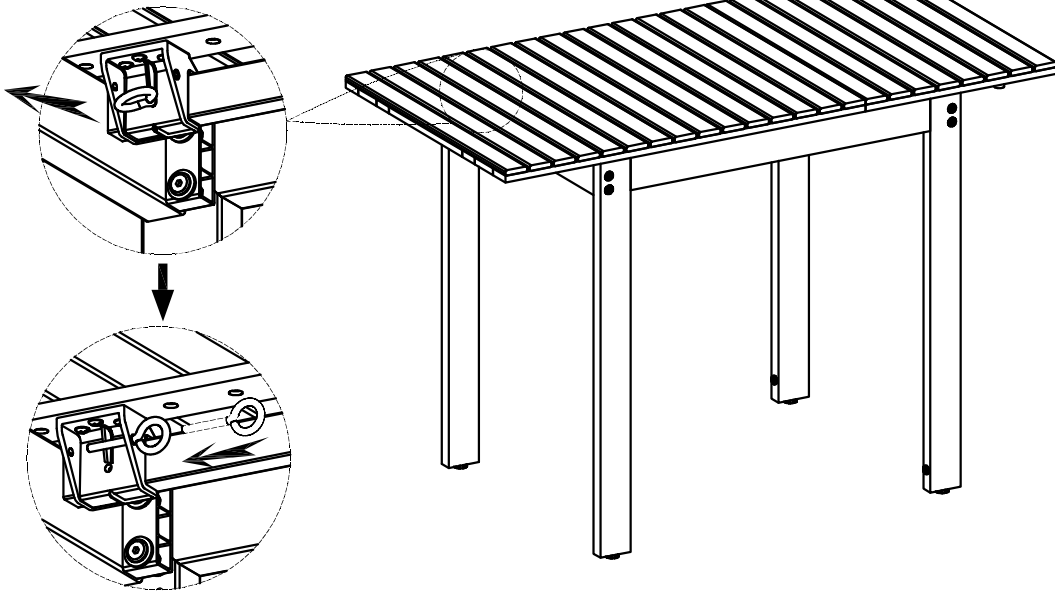


 ⑤ x 4  HW-ST-02-021 (6x20)	 ⑥ x 4  HW-ST-07-106 (6.5x12x1)	 ⑧ x 4  HW-PL-08-203 (Ø16x4)	 ⑫ x 1  HW-ST-18-001 (4x98)
--	--	---	--

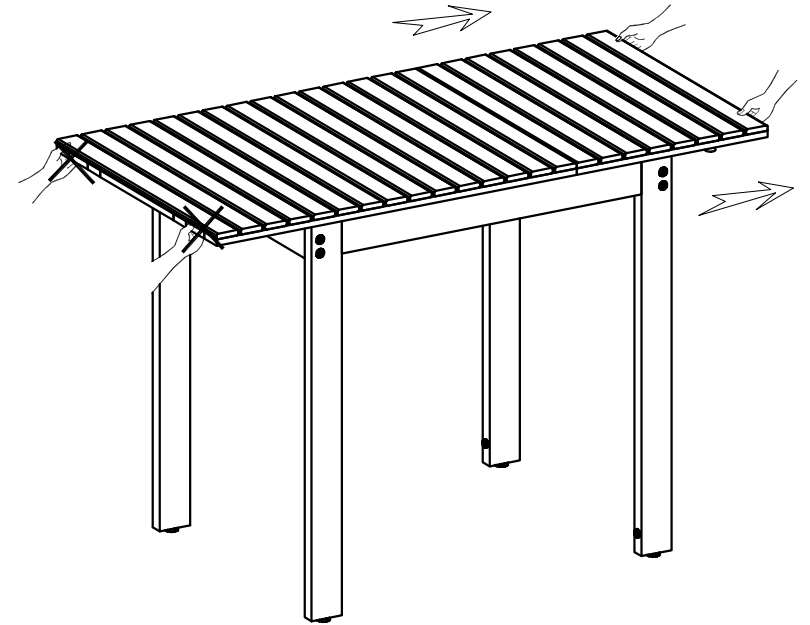


USER MANUAL

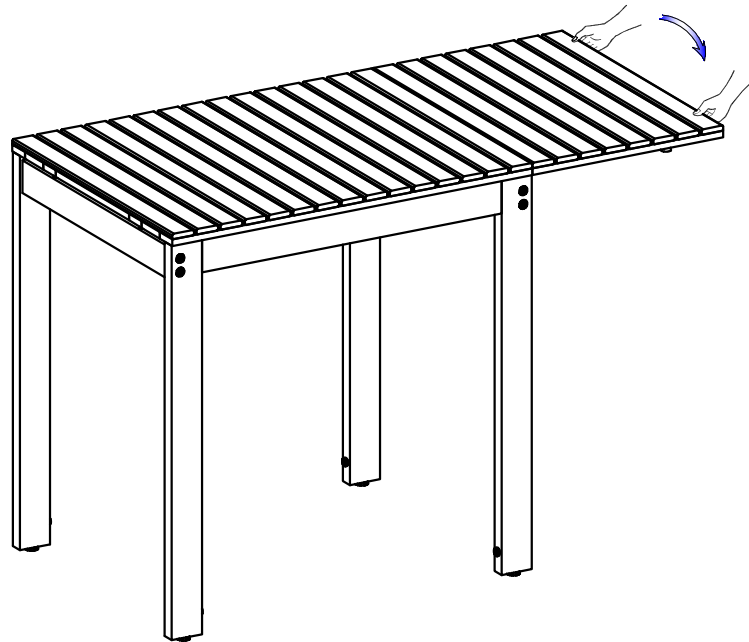
Step 1



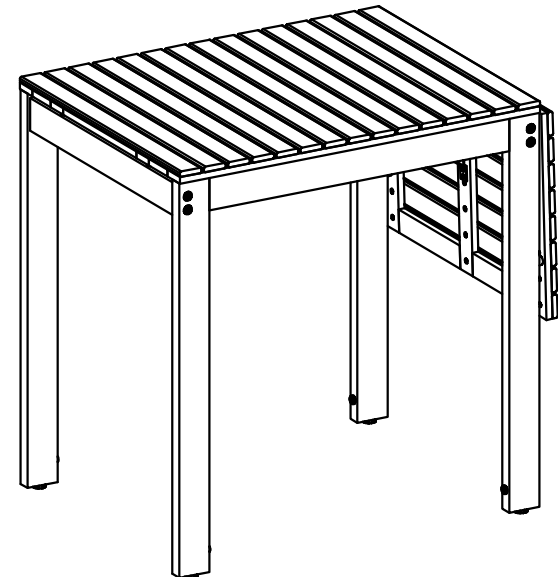
Step 2



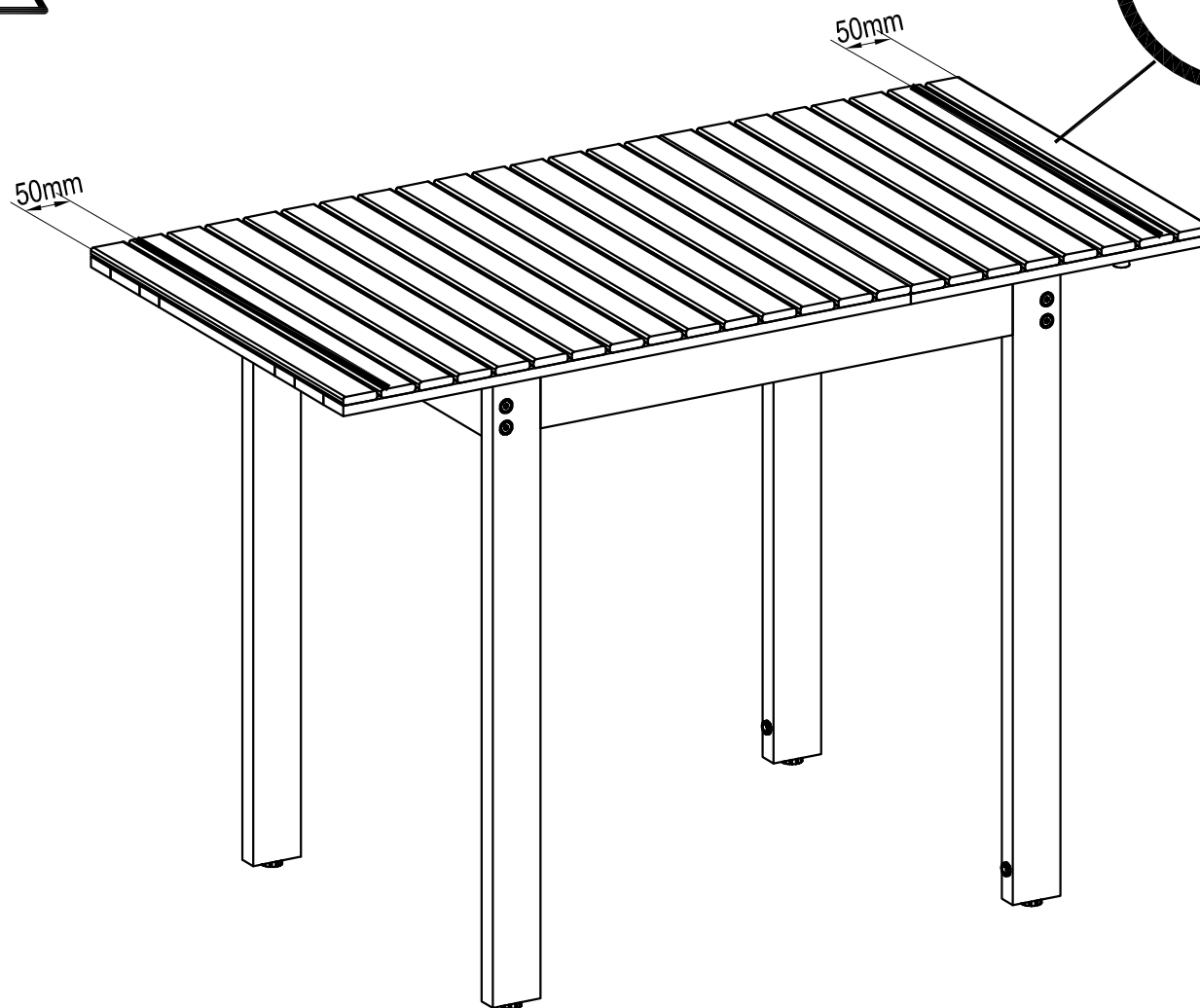
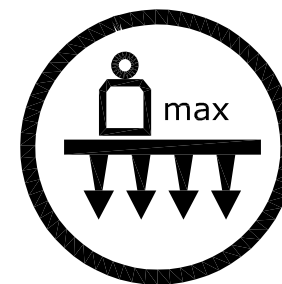
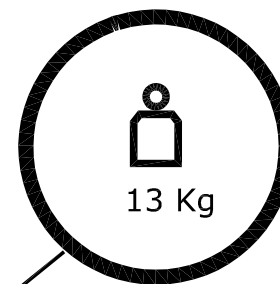
Step 3





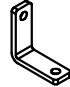
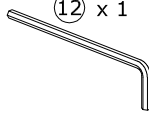
Step 4

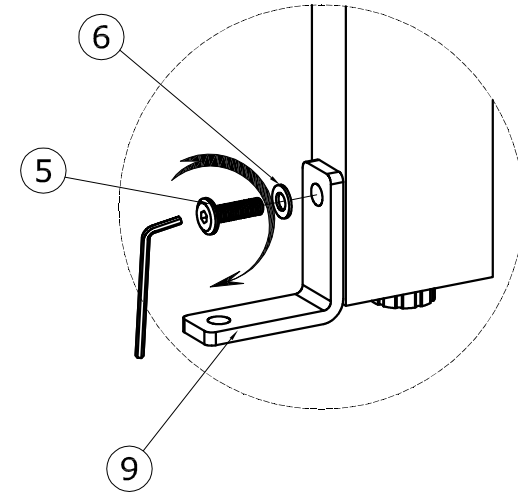
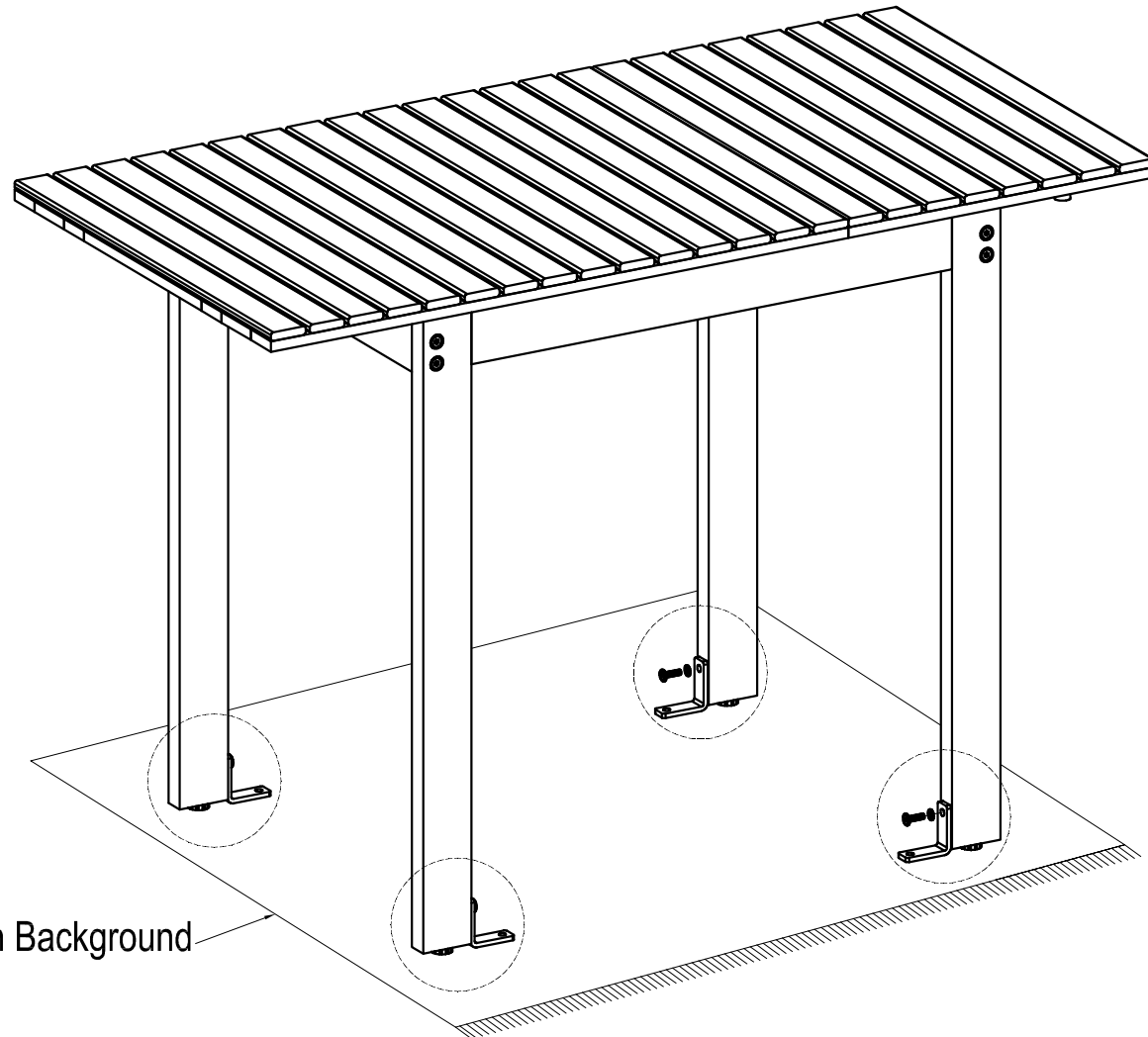


Note info: "Hooks must be used always in order to secure the stability of the table according to European Norms 581-1&3 for domestic use. In case they are not used, the max load is 13kg."

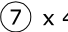

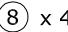

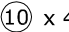

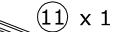



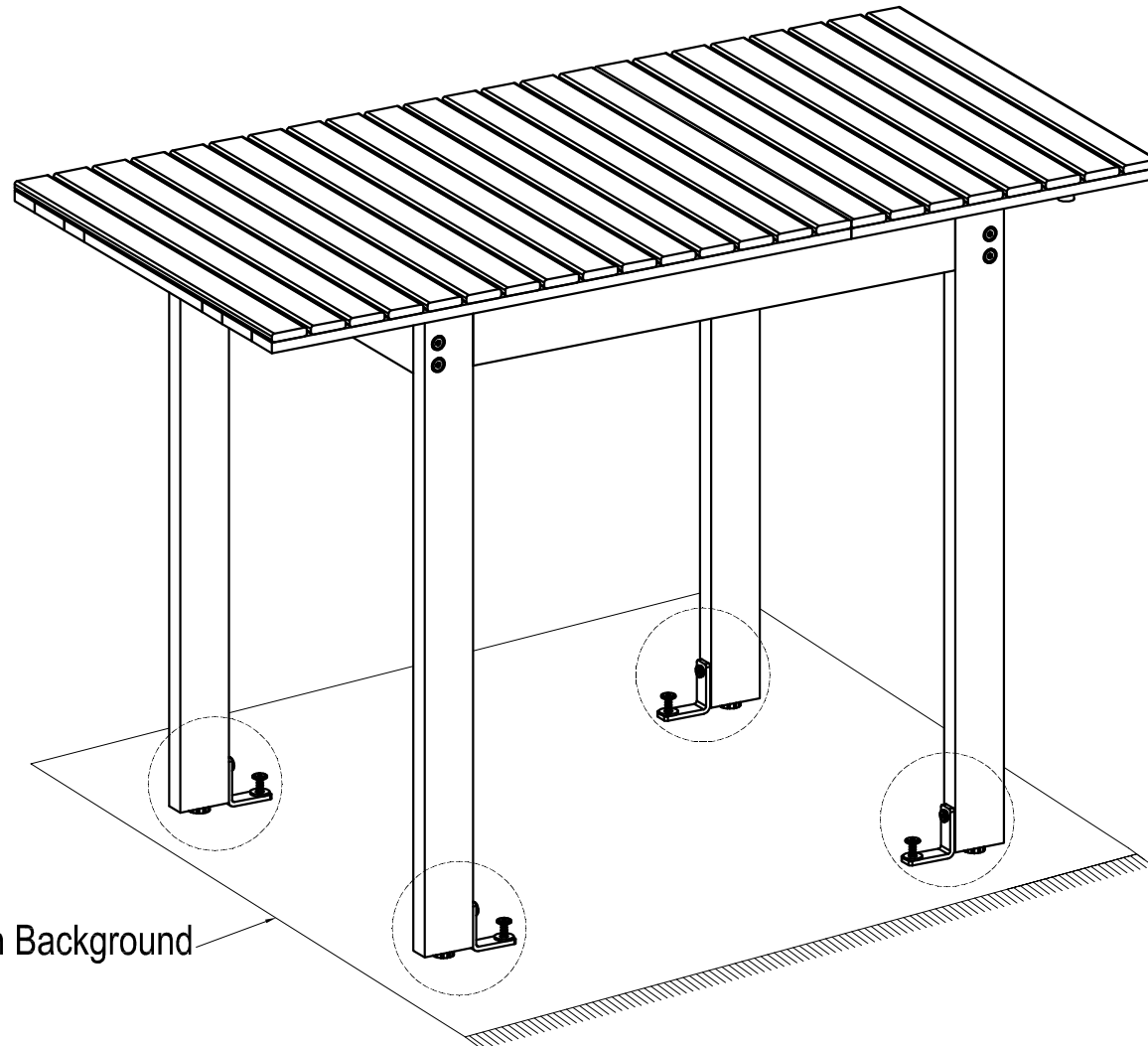
USER MANUAL

<p>⑤ x 4</p>  <p>HW-ST-02-021 (6x20)</p>	<p>⑥ x 4</p>  <p>HW-ST-07-106 (6.5x12x1)</p>	<p>⑨ x 4</p>  <p>HW-AL-04-748 (55x55x20, t5.0)</p>	<p>⑫ x 1</p>  <p>HW-ST-18-001 (4x98)</p>
---	---	---	--

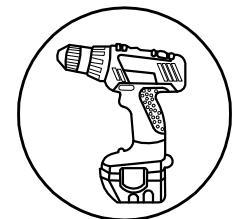
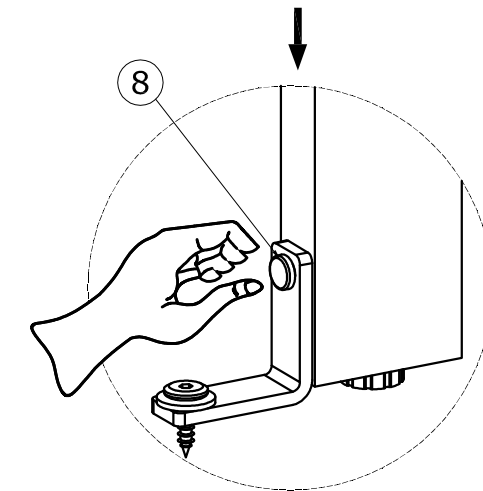
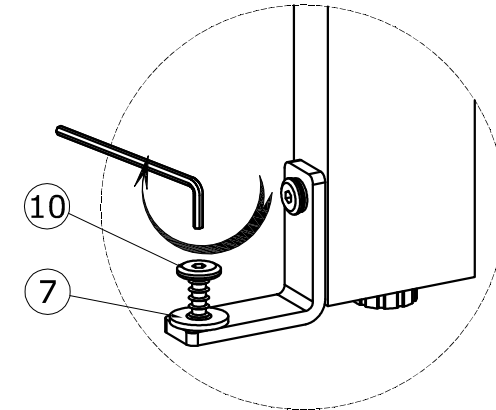


USER MANUAL

 7 x 4  HW-ST-07-054 (8.5x20x2)	 8 x 4  HW-PL-08-203 (Ø16x4)	 10 x 4  HW-ST-01-033 (7x25)	 11 x 1  HW-ST-18-001 (4x98)
--	---	---	---

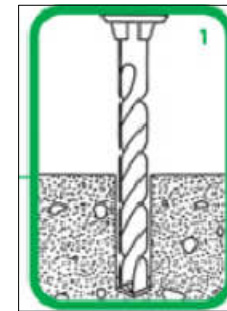
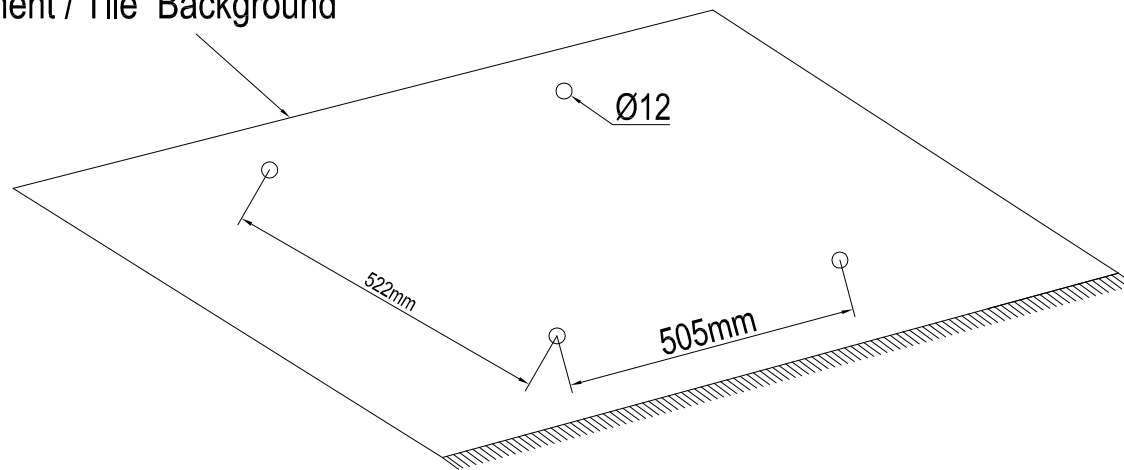


Wooden Background

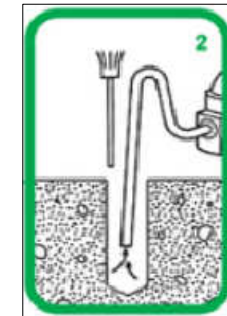


USER MANUAL

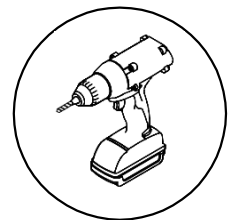
Cement / Tile Background






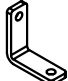

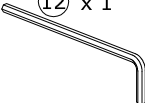

Drilling Hole ($\varnothing 12 \times 35$)



Cleaning Hole



USER MANUAL

<p>⑤ x 4</p>  <p>HW-ST-02-021 (6x20)</p>	<p>⑦ x 4</p>  <p>HW-ST-07-106 (6.5x12x1)</p>	<p>⑧ x 4</p>  <p>HW-PL-08-203 (Ø16x4)</p>	<p>⑨ x 4</p>  <p>HW-AL-04-748 (55x55x20, t5.0)</p>	<p>⑪ x 4</p>  <p>HW-ST-02-393 (8x55)</p>	<p>⑫ x 1</p>  <p>HW-ST-18-001 (4x98)</p>	<p>⑬ x 1</p>  <p>HW-ST-18-007 (13x88)</p>
---	---	--	---	---	---	--

